

Invisia™ Towel Bar

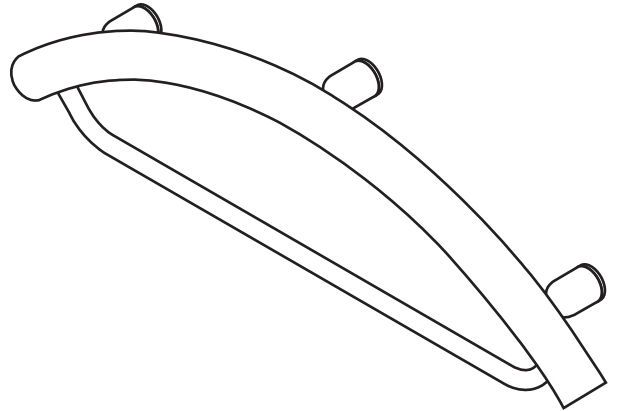
with Support Rail

INVISIA
LIVE BEAUTIFULLY

Technical Data Sheet

Product Specification

The product shall be a combination towel holder and grab rail. The product shall have patented discreet wall mounts that conceal the mounting hardware. There shall be three points of contact between the product and the wall. The product shall be of full metal construction. The grab rail portion of the product shall be 1.25"/3.2 cm in diameter. The product shall have a spacing of 16"/41 cm between the farthest wall mounts if using INV-TB-16, or 24"/61 cm if using INV-TB-24. The product shall be suitable for use in a wet environment. The product shall have a weight capacity in excess of 500lbs / 227kg. Product shall comply with ADA Guidelines, specifying the structural strength of grab bars, tubs and shower seats. The grab rail shall be Invisia Collection model INV-TB-____ (see table below for appropriate product code).



Key Features

- Elegant Design with Integrated Support
- Solid Construction and Mounting
- Patented Discreet Wall Mounts that Conceal Mounting Hardware
- Suitable For Use in a Wet Environment
- 500lbs / 227kg Weight Capacity

Codes and Standards

- ADA 609.2 Cross Section
- ADA 609.3 Spacing
- ADA 609.8 Structural Strength

Specified Model

Model	Finish	Material
INV-TB16-BS	Brushed	#304 Stainless Steel
INV-TB16-CP	Polished Chrome	
INV-TB16-ORB	Oil Rubbed Bronze	
INV-TB24-BS	Brushed	
INV-TB24-CP	Polished Chrome	
INV-TB24-ORB	Oil Rubbed Bronze	

Invisia™ Towel Bar

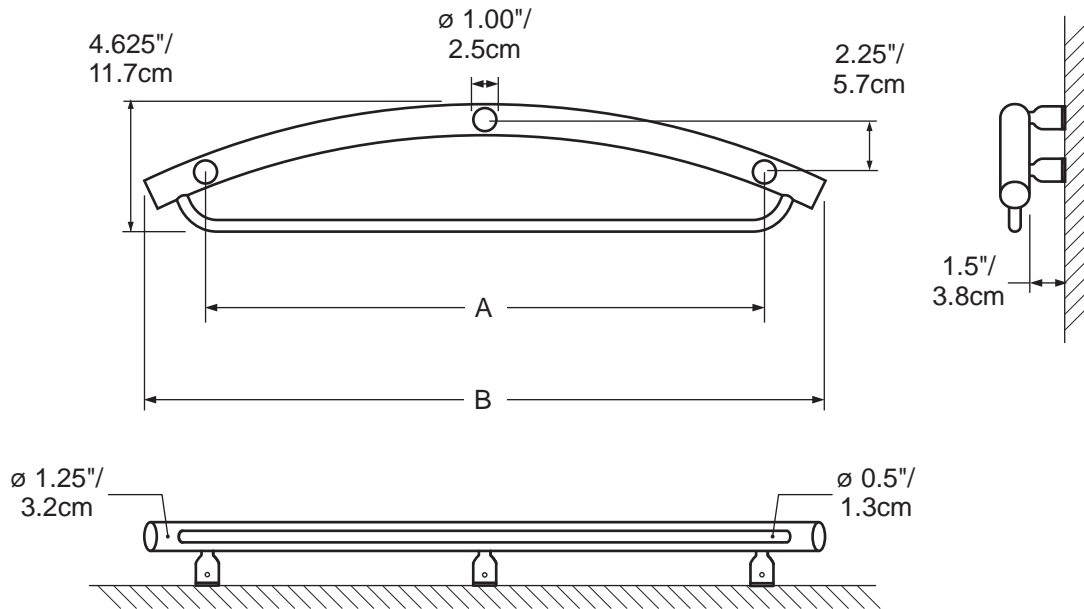
with Support Rail

INVISIA
LIVE BEAUTIFULLY

Technical Data Sheet

Product Dimensions

Model	A (Support Spacing)	B (Total Length)	Weight
TB-16	16" / 41cm	20.625" / 52.3cm	3lbs / 1.4kg
TB-24	24" / 61cm	29.2" / 74.2cm	5lbs / 2.3kg



Shipping Dimensions

Model	Height (H)	Width (W)	Depth (D)	Weight
TB-16	3.5" / 8.9cm	30.5" 77.5cm	6.5" / 16.5cm	4lbs / 1.8kg
TB-24				6lbs / 2.7kg

