

Technical Data Sheet

Product Specification

The product shall be a grab bar with a straight handle. The product shall have flange covers that conceal the mounting hardware. The product shall be of full metal construction. The grab rail portion of the product shall be 1.25"/3.2cm in diameter. The product shall be suitable for use in a wet environment. The product shall have a weight capacity in excess of 500lbs / 227kg. Product shall comply with ADA Guidelines, specifying the structural strength of grab bars, tubs and shower seats. The grab rail shall be Invisia Collection model INV-LB-____ (see table below for appropriate product code).



Key Features

- Elegant Design with Integrated Support
- Solid Construction and Mounting
- Discreet Wall Mounts that Conceal Mounting Hardware
- Suitable For Use in a Wet Environment
- 500lbs / 227kg Weight Capacity

Codes and Standards

- ADA 609.2 Cross Section
- ADA 609.3 Spacing
- ADA 609.8 Structural Strength



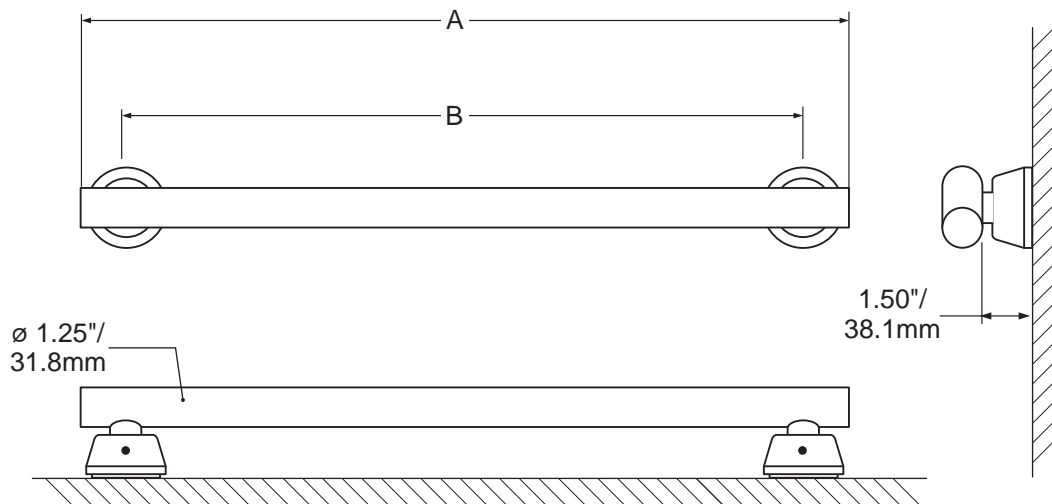
Specified Model

Model	Finish	Length	Material
INV-LB12-BLK	Matte Black	12" / 305mm	#304 Stainless Steel
INV-LB12-BS	Brushed	12" / 305mm	
INV-LB12-CP	Polished Chrome	12" / 305mm	
INV-LB12-ORB	Oil Rubbed Bronze	12" / 305mm	
INV-LB18-BLK	Matte Black	18" / 457mm	
INV-LB18-BS	Brushed	18" / 457mm	
INV-LB18-CP	Polished Chrome	18" / 457mm	
INV-LB18-ORB	Oil Rubbed Bronze	18" / 457mm	
INV-LB24-BLK	Matte Black	24" / 610mm	
INV-LB24-BS	Brushed	24" / 610mm	
INV-LB24-CP	Polished Chrome	24" / 610mm	
INV-LB24-ORB	Oil Rubbed Bronze	24" / 610mm	

Technical Data Sheet

Product Dimensions

Model	A (Bar Length)	B (Center Spacing)
12	12" / 305mm	8.75" / 222mm
18	18" / 457mm	14.75" / 375mm
24	24" / 610mm	20.75" / 527mm



Shipping Dimensions

Model	Height (H)	Width (W)	Depth (D)	Weight
LB-12	3" / 7.62cm	15" / 38.1cm	4" / 10.2cm	2.25lbs / 1.02kgs
LB-18	3" / 7.62cm	20.75" / 52.7cm	4" / 10.2cm	2.75lbs / 1.25kgs
LB-24	3" / 7.62cm	26.75" / 67.9cm	4" / 10.2cm	3.2lbs / 1.45kgs

