

# Invisia™ Soap Dish

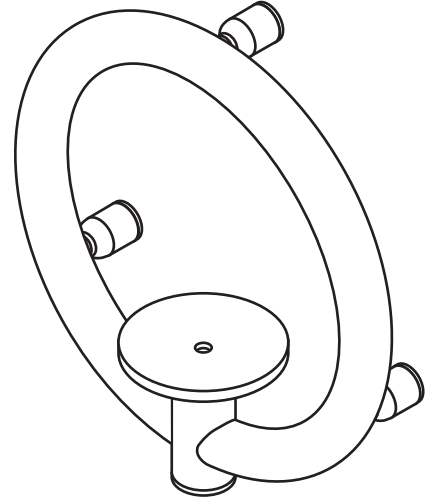
with Support Rail

INVISIA  
LIVE BEAUTIFULLY

## Technical Data Sheet

### Product Specification

The product shall be a combination soap dish and grab rail. The product shall have patented discreet wall mounts that conceal the mounting hardware. The product shall have a removable solid surface soap tray. There shall be three points of contact between the product and the wall. The grab rail portion of the product shall be 1.25"/3.2 cm in diameter. The product shall be suitable for use in a wet environment. The product shall have a weight capacity in excess of 500lbs / 227kg. Product shall comply with ADA Guidelines, specifying the structural strength of grab bars, tubs and shower seats. The grab rail shall be Invisia Collection model SD-\_\_\_\_ (see table below for appropriate product code).



### Key Features

- Elegant Design with Integrated Support
- Solid Surface Soap Tray
- Solid Construction and Mounting
- Patented Discreet Wall Mounts that Conceal Mounting Hardware
- Suitable For Use in a Wet Environment
- 500lbs / 227kg Weight Capacity

### Codes and Standards

- ADA 609.2 Cross Section
- ADA 609.3 Spacing
- ADA 609.8 Structural Strength



### Specified Model

Model	Finish	Material
INV-SD-BLK	Matte Black	#304 Stainless Steel
INV-SD-BS	Brushed	
INV-SD-CP	Polished Chrome	
INV-SD-ORB	Oil Rubbed Bronze	

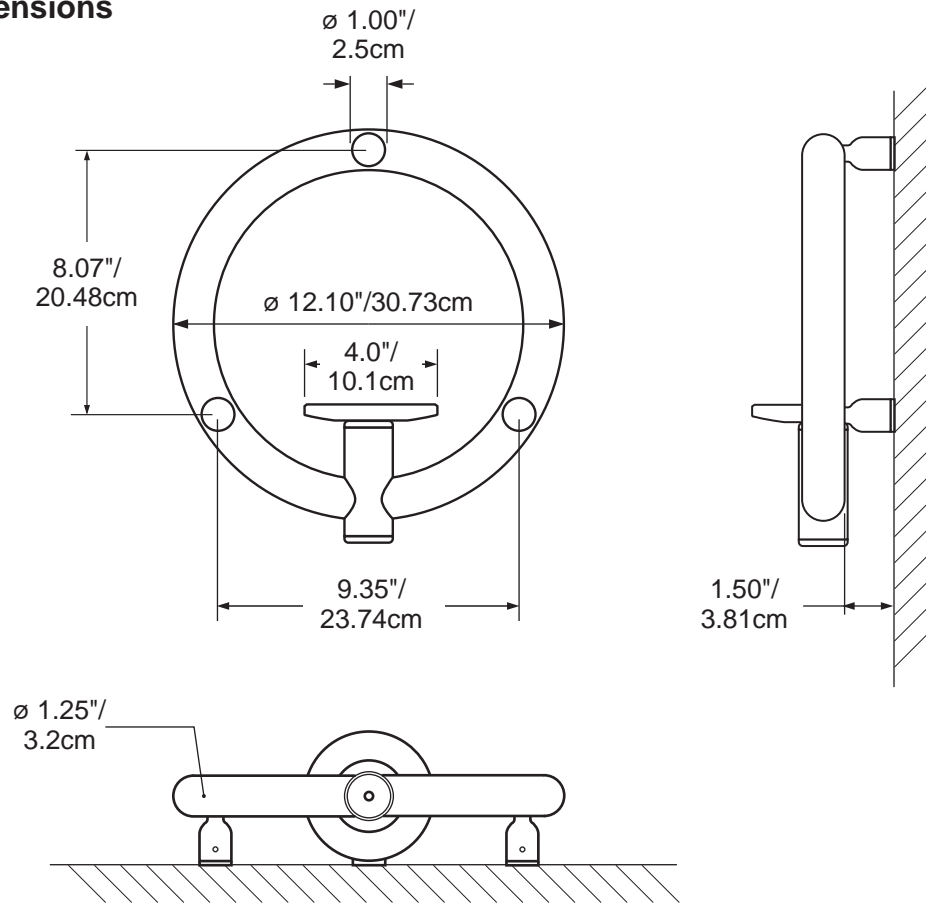
# Invisia™ Soap Dish

with Support Rail

INVISIA  
LIVE BEAUTIFULLY

## Technical Data Sheet

### Product Dimensions



### Shipping Dimensions

Model	Height (H)	Width (W)	Depth (D)	Weight
SD	4" / 10.1cm	14" / 35.6cm	13" / 33.0cm	5lbs / 2.2kg

